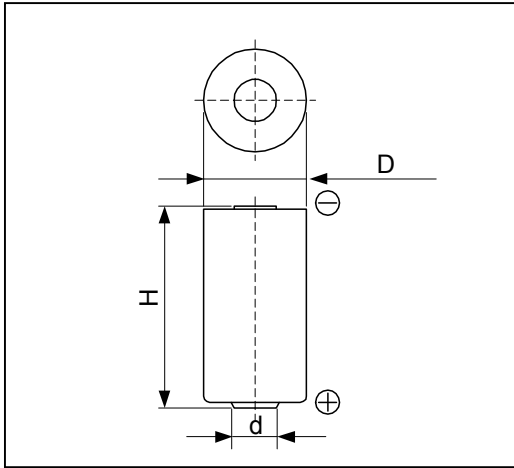


Cell Type CR17335SE Specifications



| | | |
|--------------------------------|--------------------------|--------------|
| Nominal Capacity* ¹ | | 1800mAh |
| Nominal Voltage | | 3V |
| Standard Discharge Current | | 1.0mA |
| Max. Discharge Current | Continuous* ² | 8mA |
| | Pulse* ³ | 100mA |
| Temperature Range | | -40°C ~ 85°C |
| Weight | | 17g |
| Dimensions | D | 17.0mm |
| | H | 33.5mm |
| | d | 7mm |

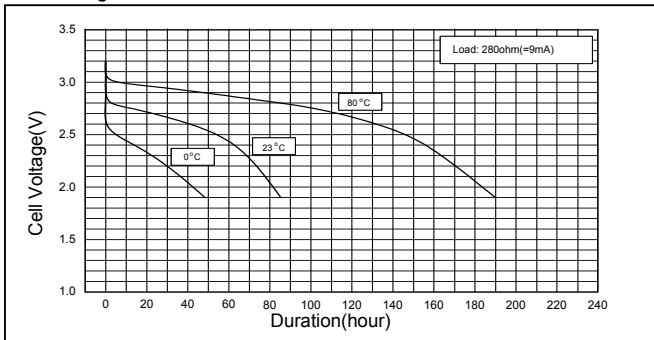
*1 Nominal capacity is determined to an end voltage of 2.0V when the battery is allowed to discharge at a standard current level at 23°C.

*2 Current value is determined to be the level at which 50% of the nominal capacity is obtained with an end voltage of 2.0V at 23°C.

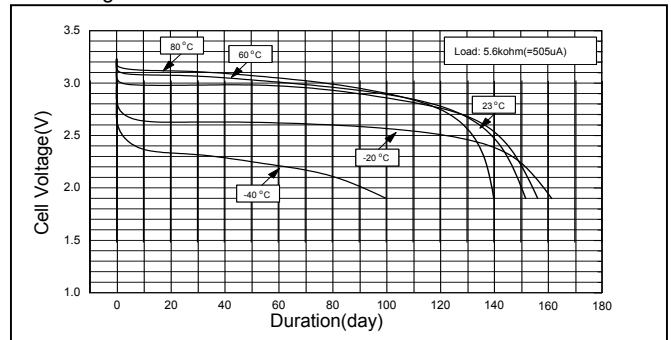
*3 Current value for obtaining 2.0V cell voltage when pulse is applied for 15seconds at 50% discharge depth at 23°C.

Typical Characteristics

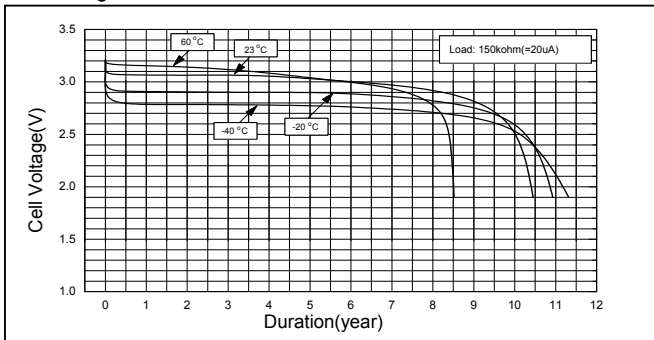
Discharge Characteristics of CR17335SE



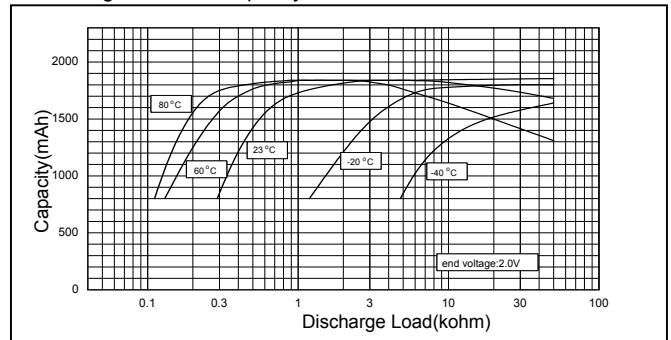
Discharge Characteristics of CR17335SE



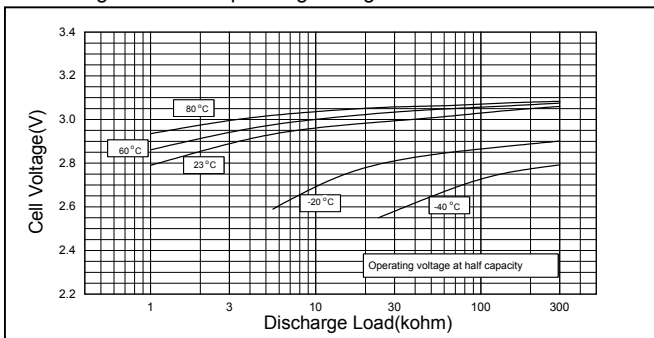
Discharge Characteristics of CR17335SE



Discharge Load vs. Capacity of CR17335SE



Discharge Load vs. Operating Voltage of CR17335SE



Discharge Characteristics of CR17335SE

